



PRISM

PIR Motion Sensor

Prism is a rechargeable, ultra-low power consuming PIR motion sensor that detects human motion within its vicinity, and is able to perform various programmable tasks by communicating with a gateway. Entry detections ensures you receive real time notifications on the interfree App from your smart phone or tablet.



Easy Setup



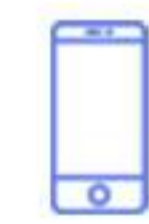
Complete Security



Battery Status

IFTTT

IFTTT Interaction



StayNotified



Entry Detection



Scene Control



Timer Scheduled Operation

Product Features

- ④ Australian standard certified
- ④ Easy QR code installation.
- ④ Complete Secure and stable connectivity.
- ④ Unique shape and design allows the prism to be easily mounted on any wall or ceiling
- ④ Supports OTA firmware updates.
- ④ Low Power Consumption
Powered by plug or battery which lasts approximately 6 months
- ④ Real time battery status and notifications
- ④ Detects motion using a passive IR sensor
- ④ Upon tampering or detection of vibration, shock or motion the sensor will notify the associated connected controller.
- ④ Motion detection status can be used to create automation or scene.

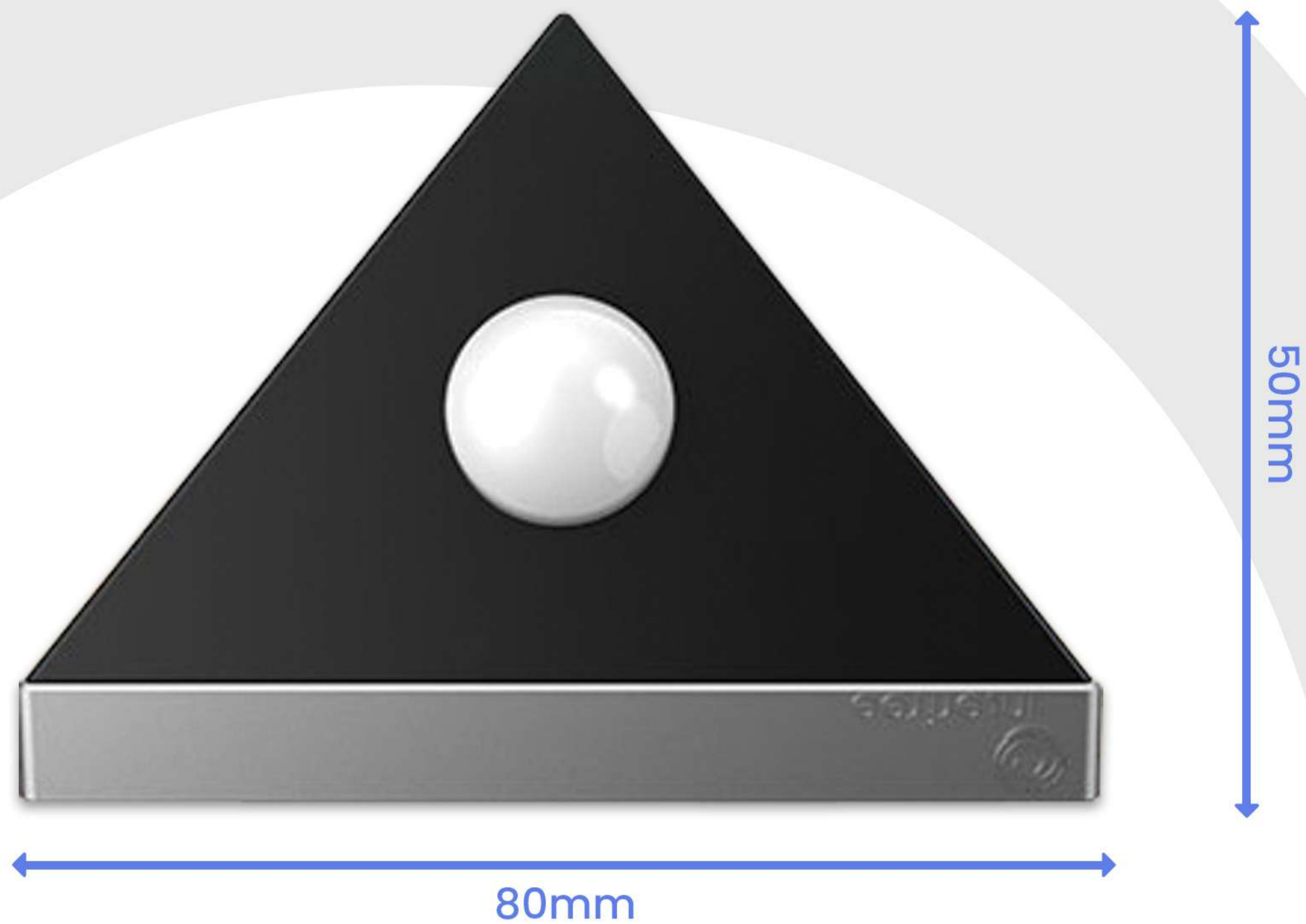


Products Technical Details

Power Source	3.6V DC Battery OR USB
Battery Type	LIR 2477 rechargeable battery
Battery Life	6 months
Storage Temperature	-20°C to 60°C
Recomended Installation Height	2 -3 M
Working Power	About 1.2μA
Standby Power	About 50μA
Range	8m
Angel Range	120 degree
Communication Protocol	Zigbee

Dimensions

Dimensions	80x80x50mm
Weight	142g



Description for packaging details

Prism	AU Stander Power adapter*1	1.5-meter USB cable
Recharge able Battery LIR2477 3.6V		Quick start gridline
Mount 3M tape3.6V		Mount Bracket*1

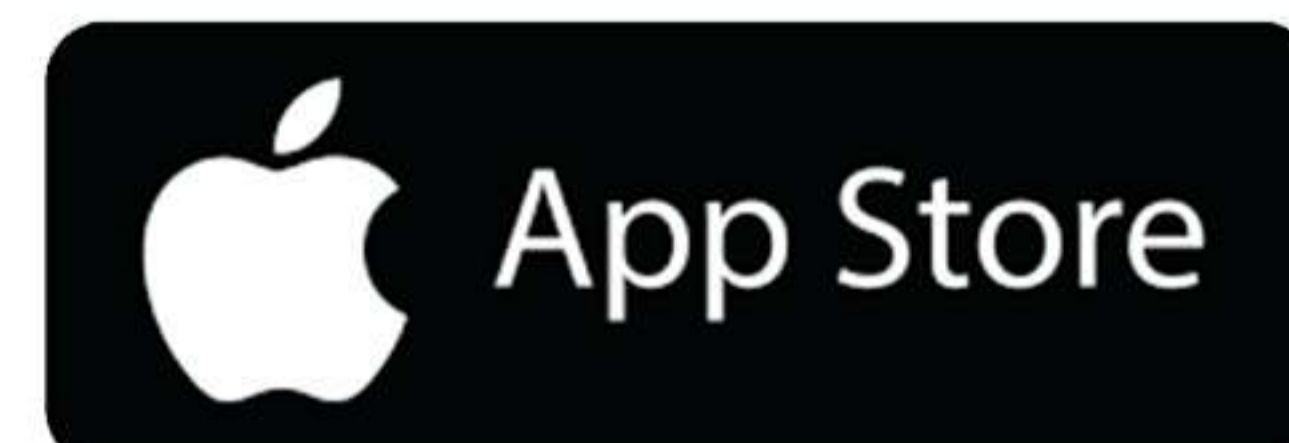


Step 1: Download the Interfree Application

Please use your phone to scan the QR code or search "Interfree" APP in APP store or Google play.

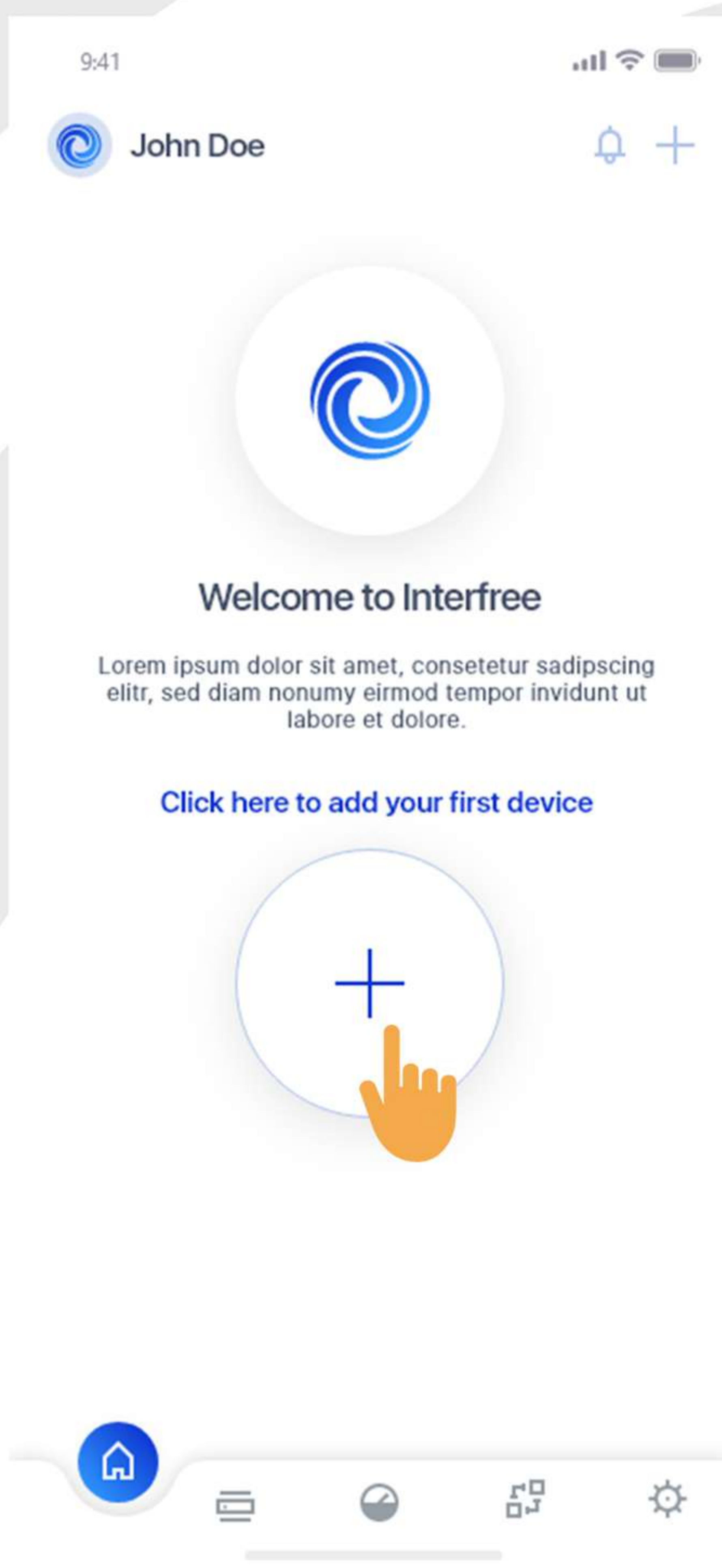


Download Now

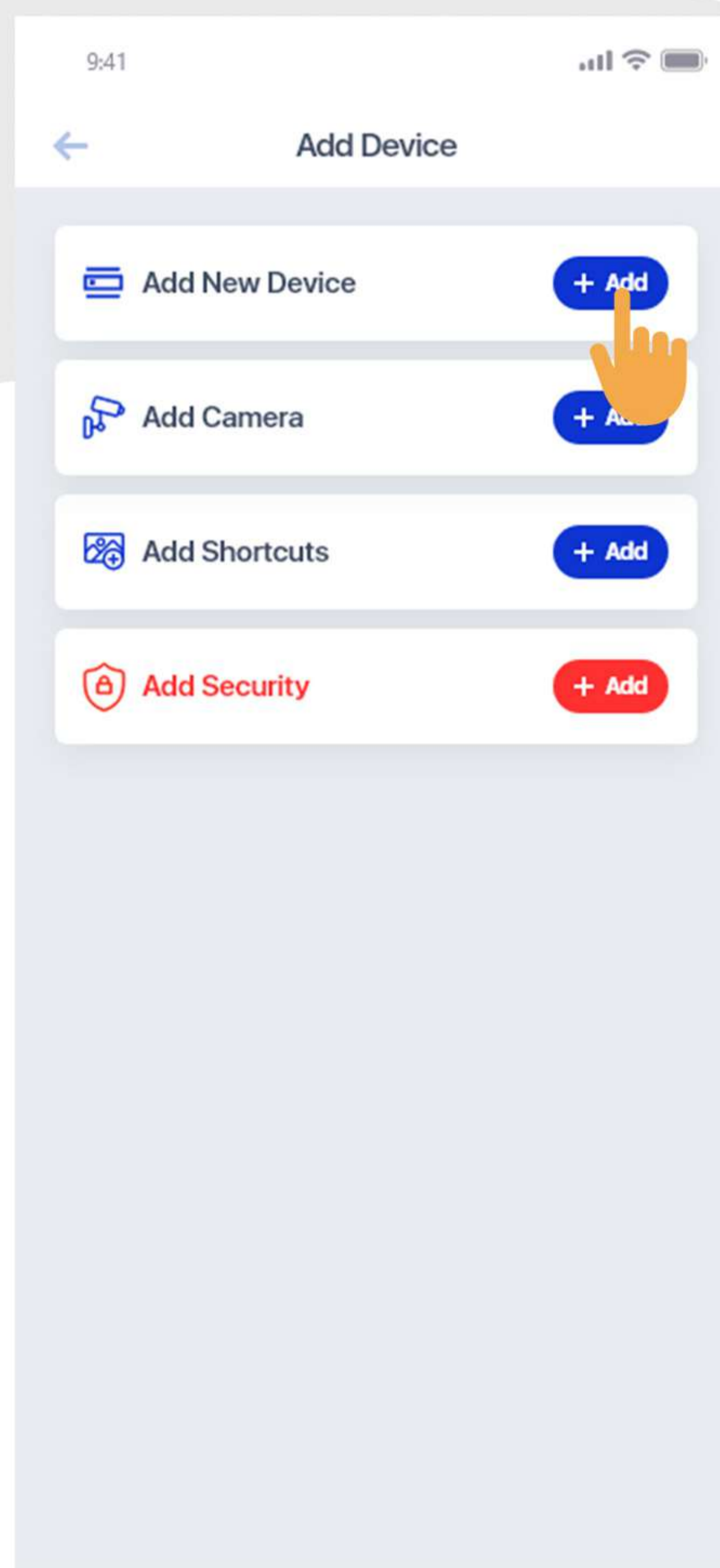


Step 3: Scan the QR code on device.

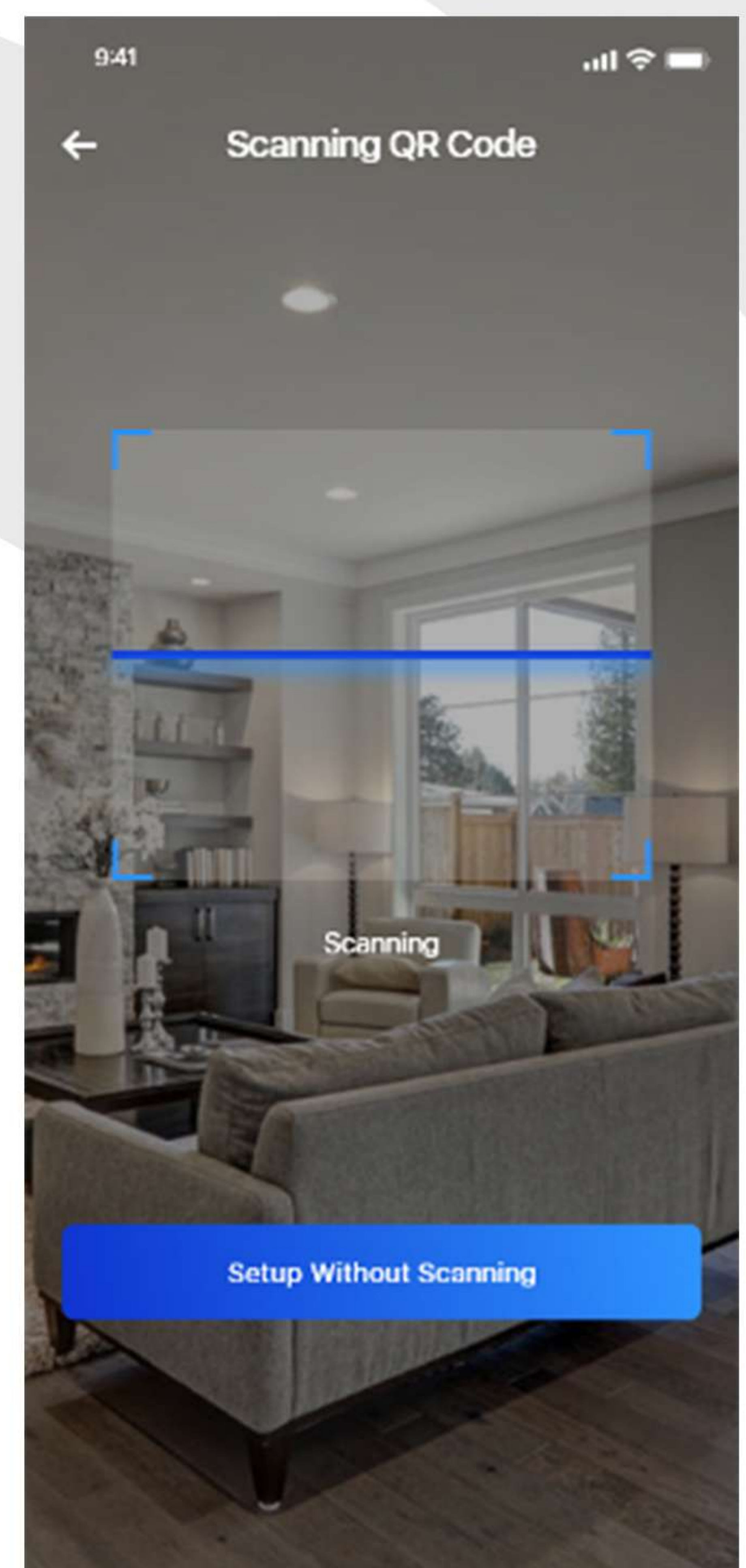
Please use your phone to scan the QR code or search "Interfree" APP in APP store or Google play.



Click on the "+" icon to Add your device to the network



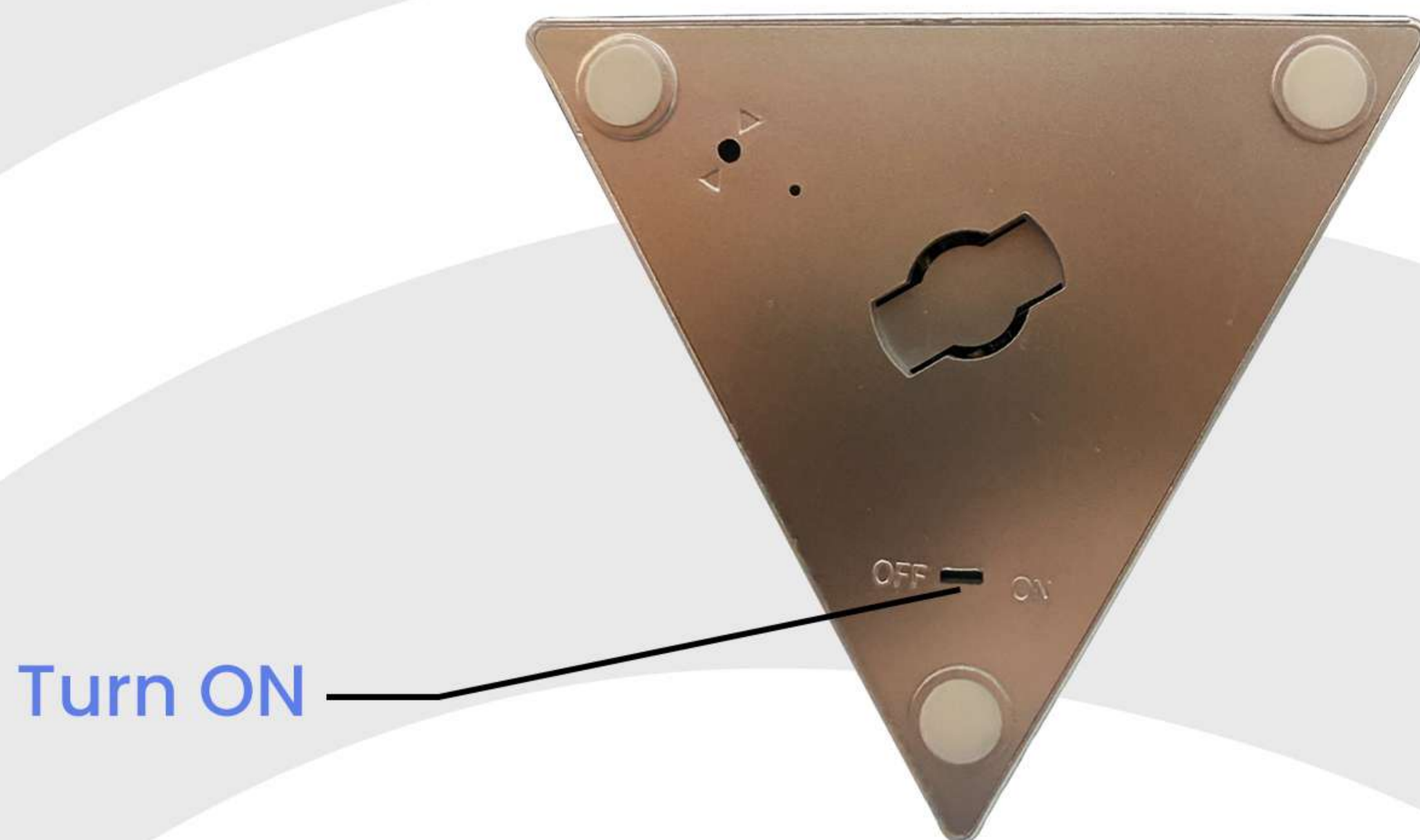
By clicking on "+add" you can add as many devices to Interfree's network



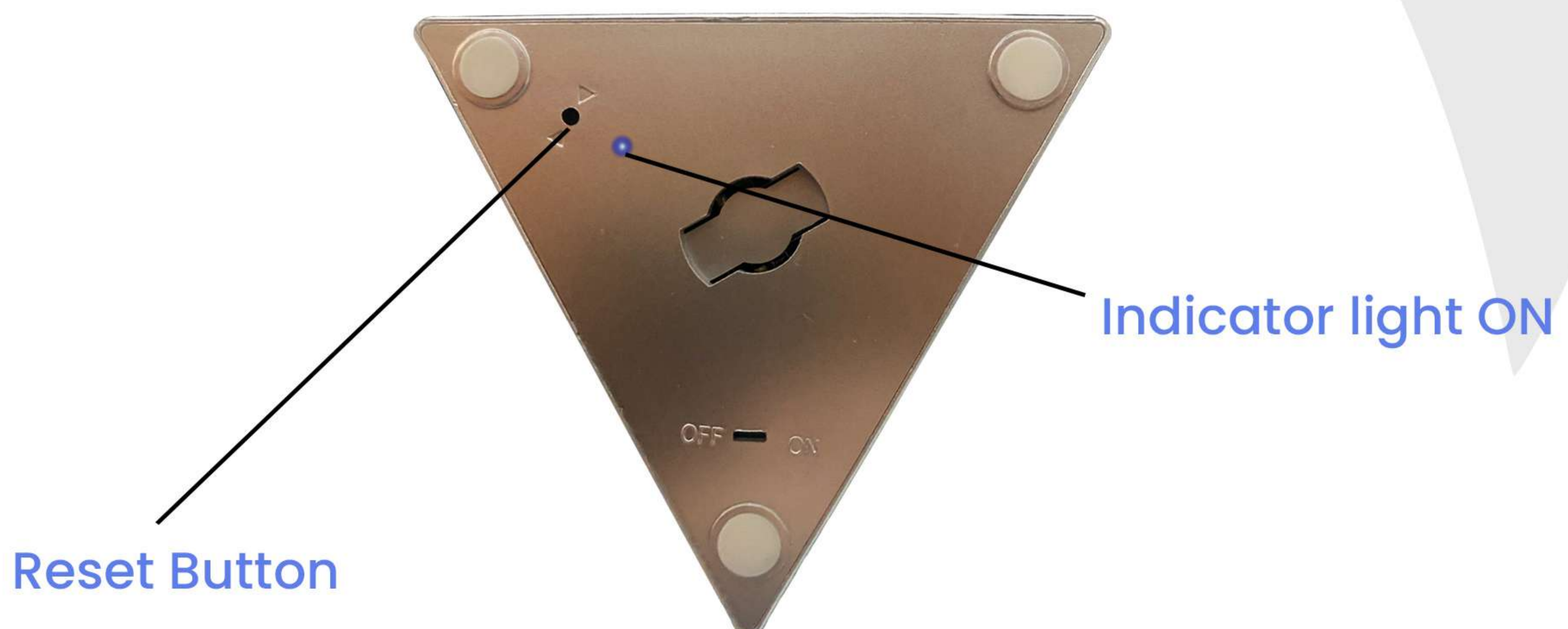
Scan the QR code on device

Note: The Prism should only be switched on after QR code has been scanned for atleast 20 seconds.

Step 3: Once you have scanned the QR code on the sensor for at least 20 seconds, switch the button ON.

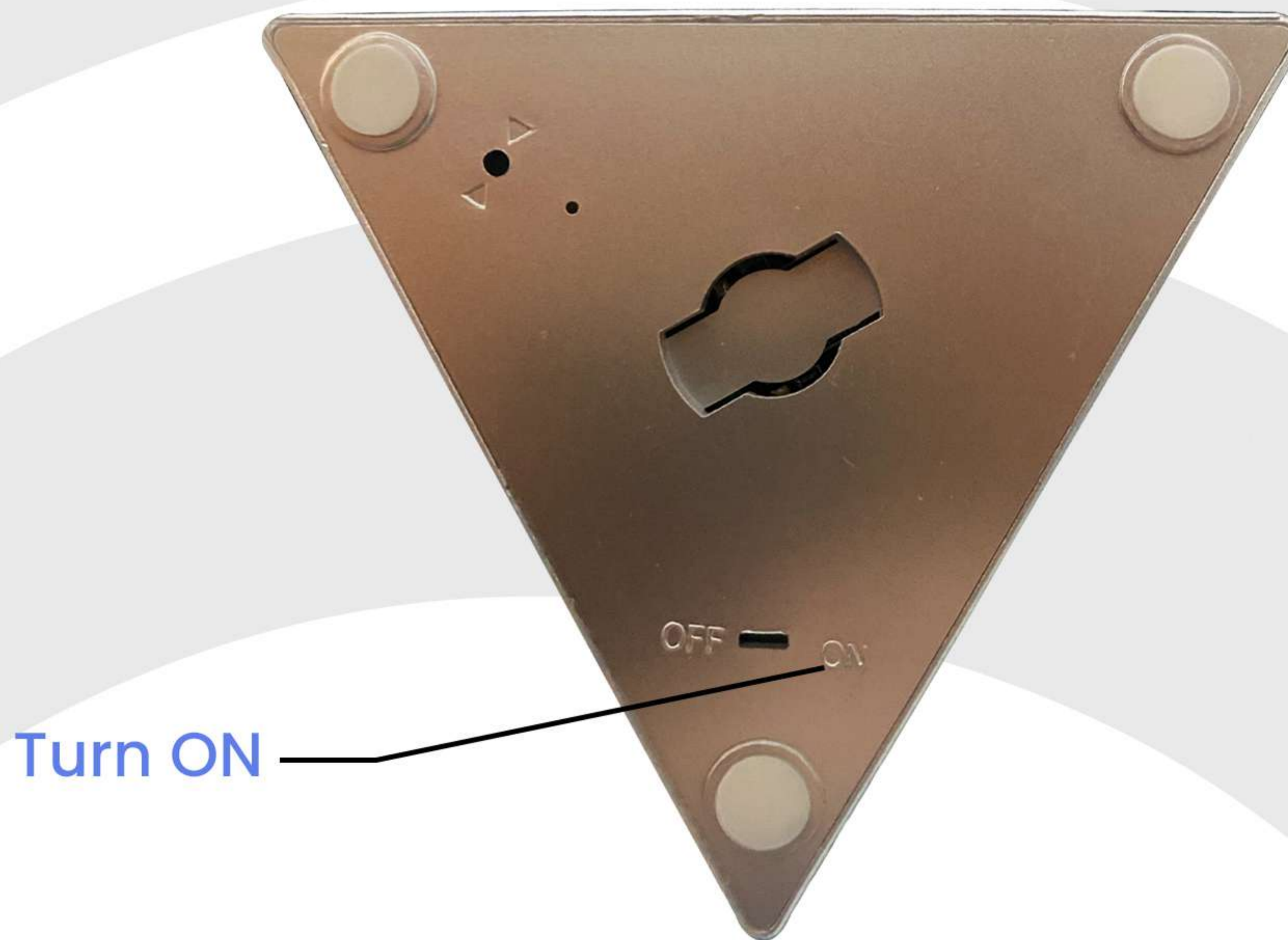


Step 4: Check the indicator light. If the light changes from slow flash to off, this means the device has successfully connected to the Zigbee network. The Prosm will then appear online in the app.

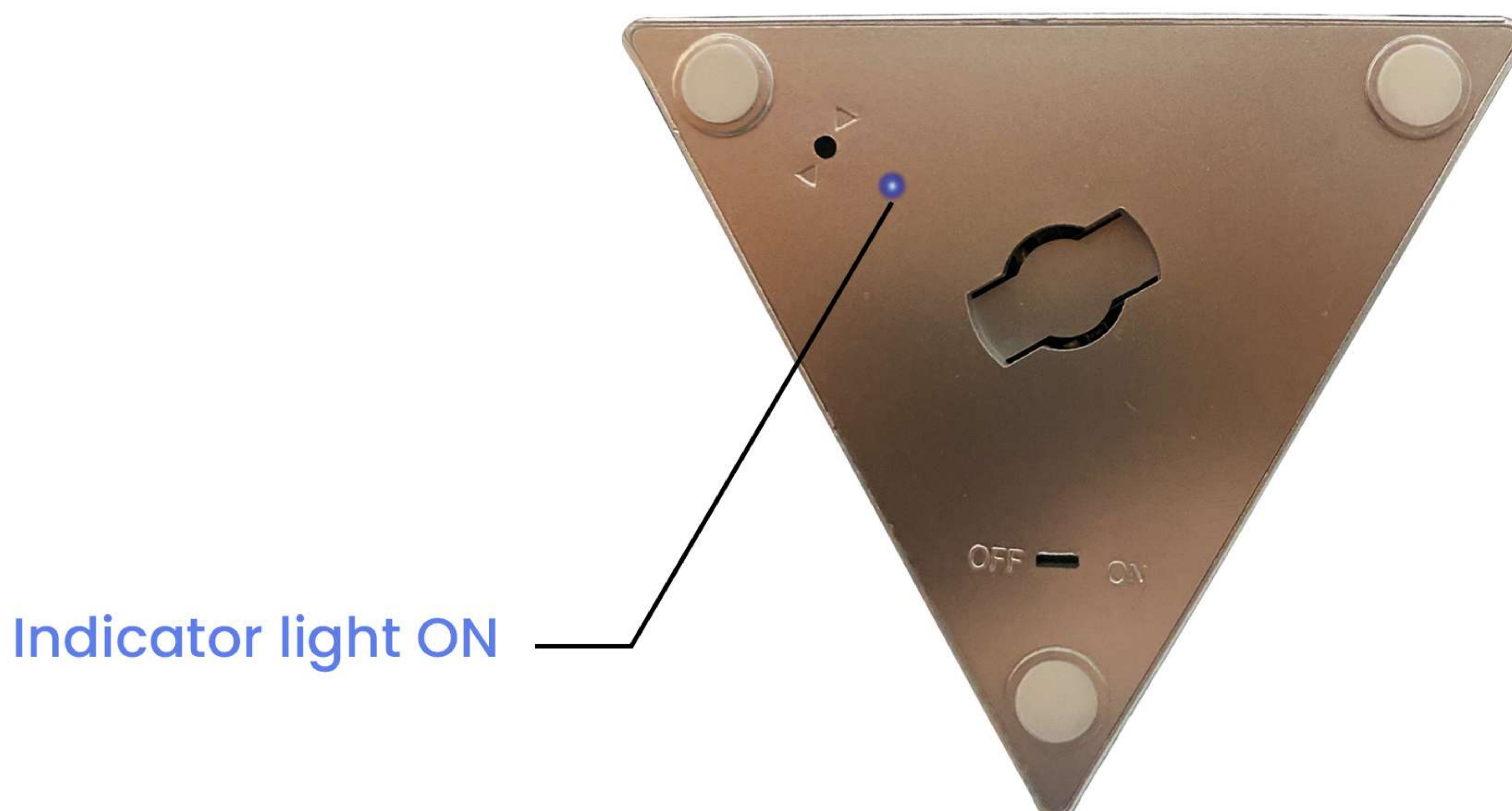


Step 5: If you scan the device and it's not online on the App, the device might need to be reset by simply switching on the Zigbee network for advance setting of the Gateway and clicking the reset button for 10 seconds

Step 3: Once you have scanned the QR code on the sensor for at least 20 seconds, switch the button ON.

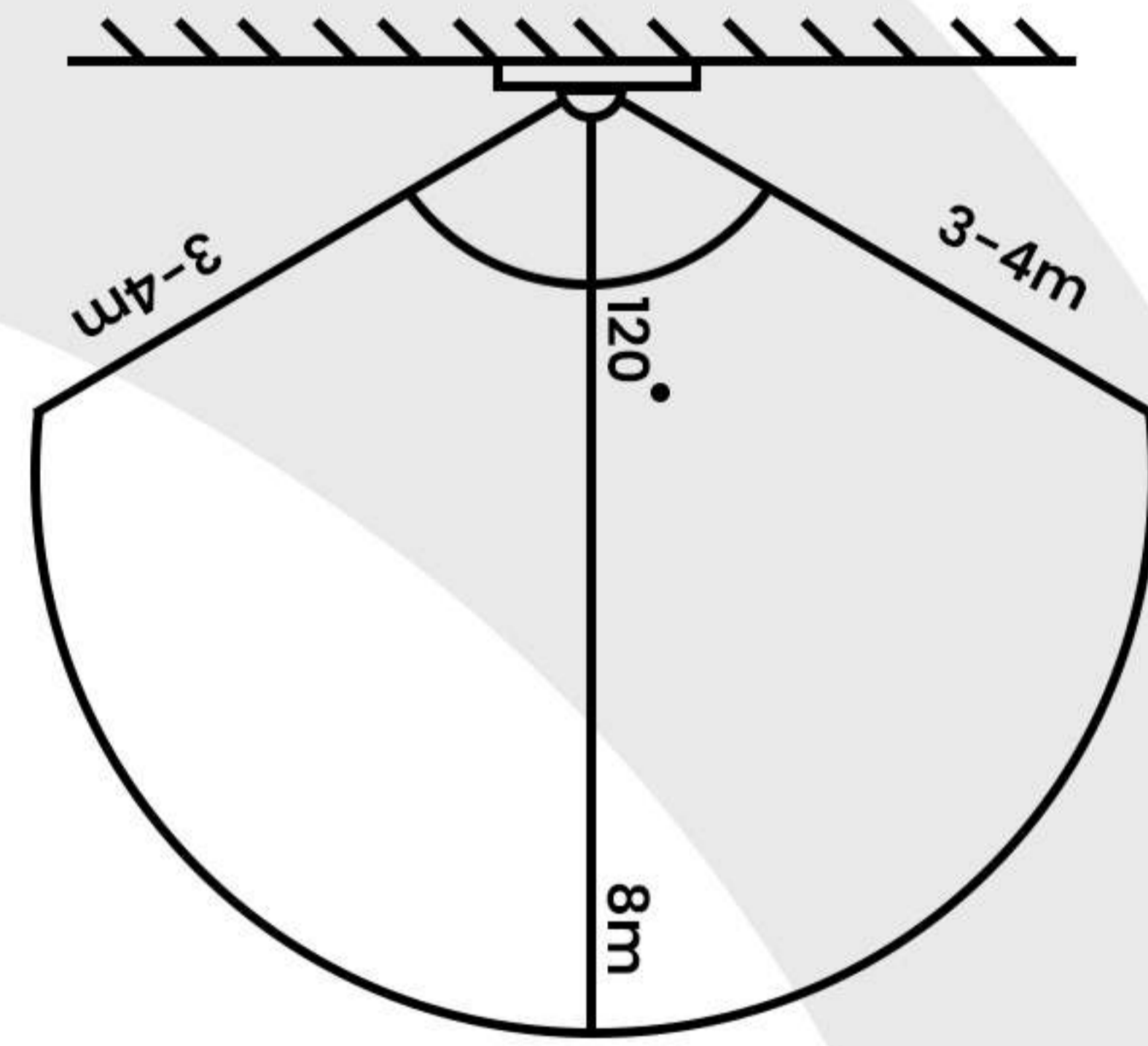
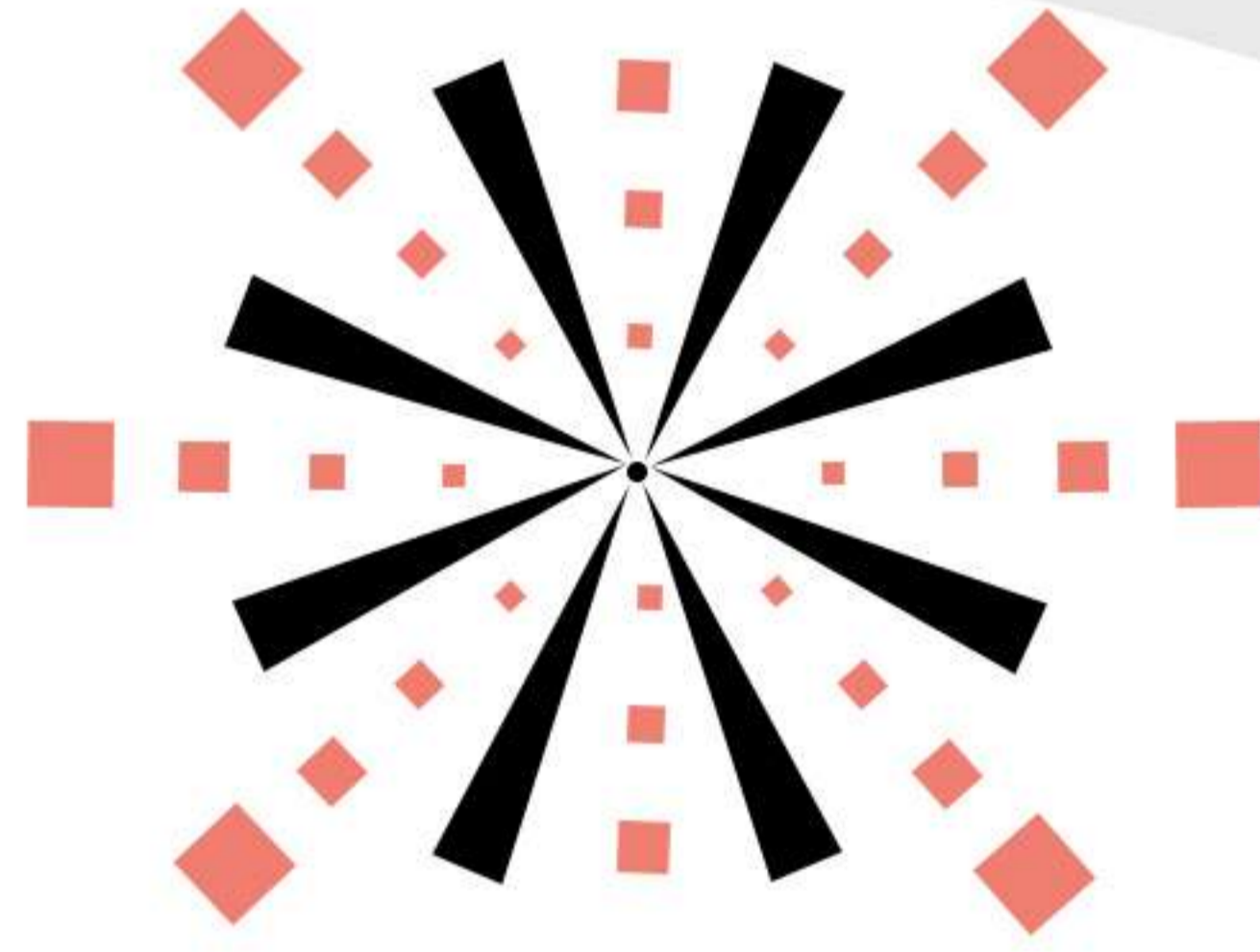
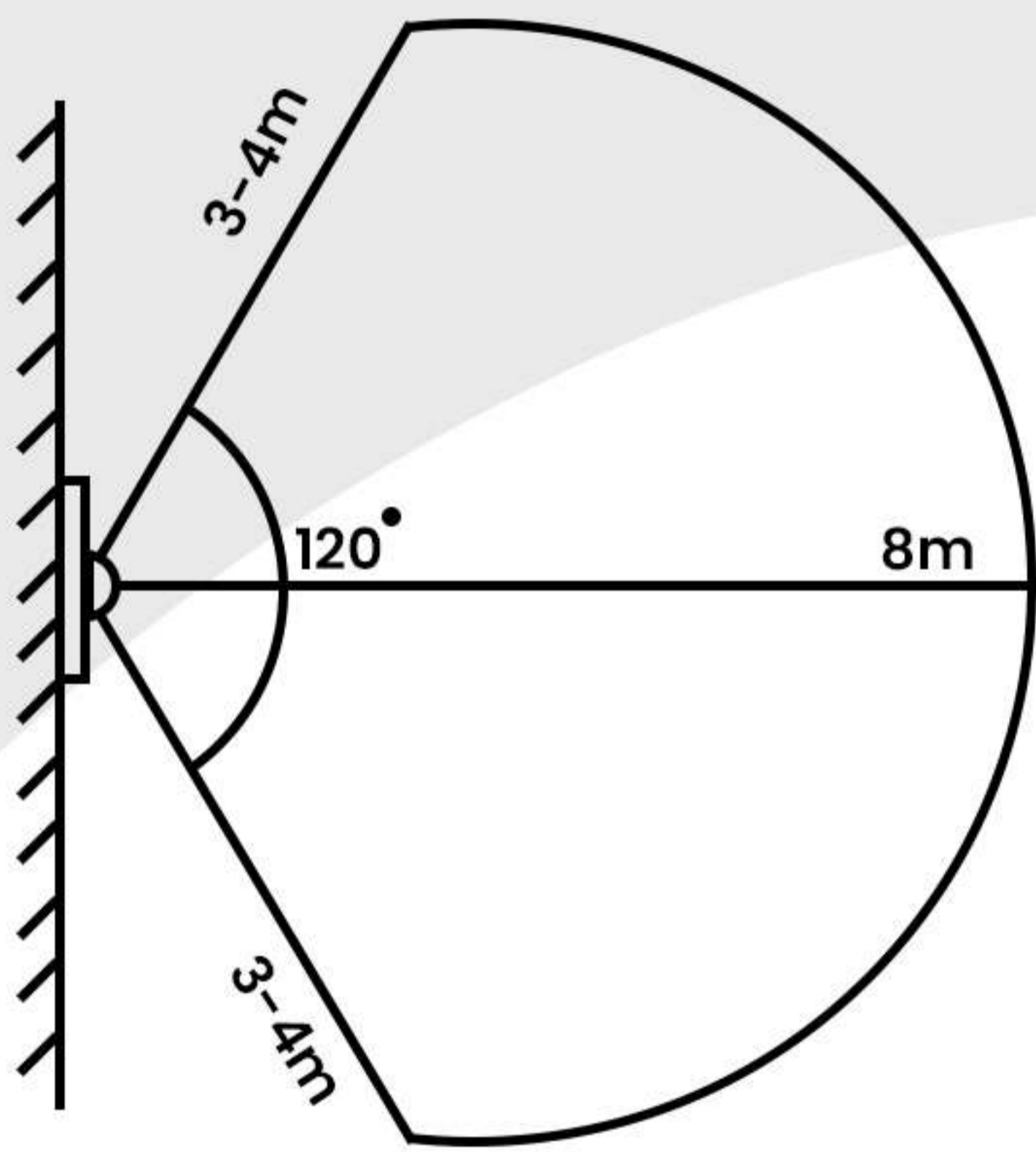


Step 4: Check the indicator light. If the light changes from slow flash to off, this means the device has successfully connected to the Zigbee network. The Prosm will then appear online in the app.



Mount the motion sensor

You should install your motion detector in a location where it can adequately detect motion, but also without causing any false alarms. The best location for a motion is usually in the corner of the room, away from any windows. The device should be placed about 6 to 8 feet off the ground.





Prism

PIR MOTION SENSOR

 33 Glenvale Crescent Mulgrave VIC 3170 Australia

 interfree@interfree.com.au

 www.interfree.com.au