

OCTAGON

DOOR & WINDOW SENSOR

Octagon is an innovative door and window sensor that detects the open and close status of any door or window, sending real time notifications directly to your smart phone and ensuring complete security of your premises. Features such as scene control and IFTTT allow you to set customised scenes on the Interfree App, so that you are greeted as soon as you open the door.



Easy Setup



Complete Security



Battery Status



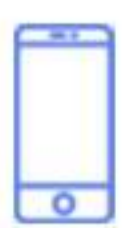
Scene Control

IFTTT

IFTTT Interaction



Entry Detection



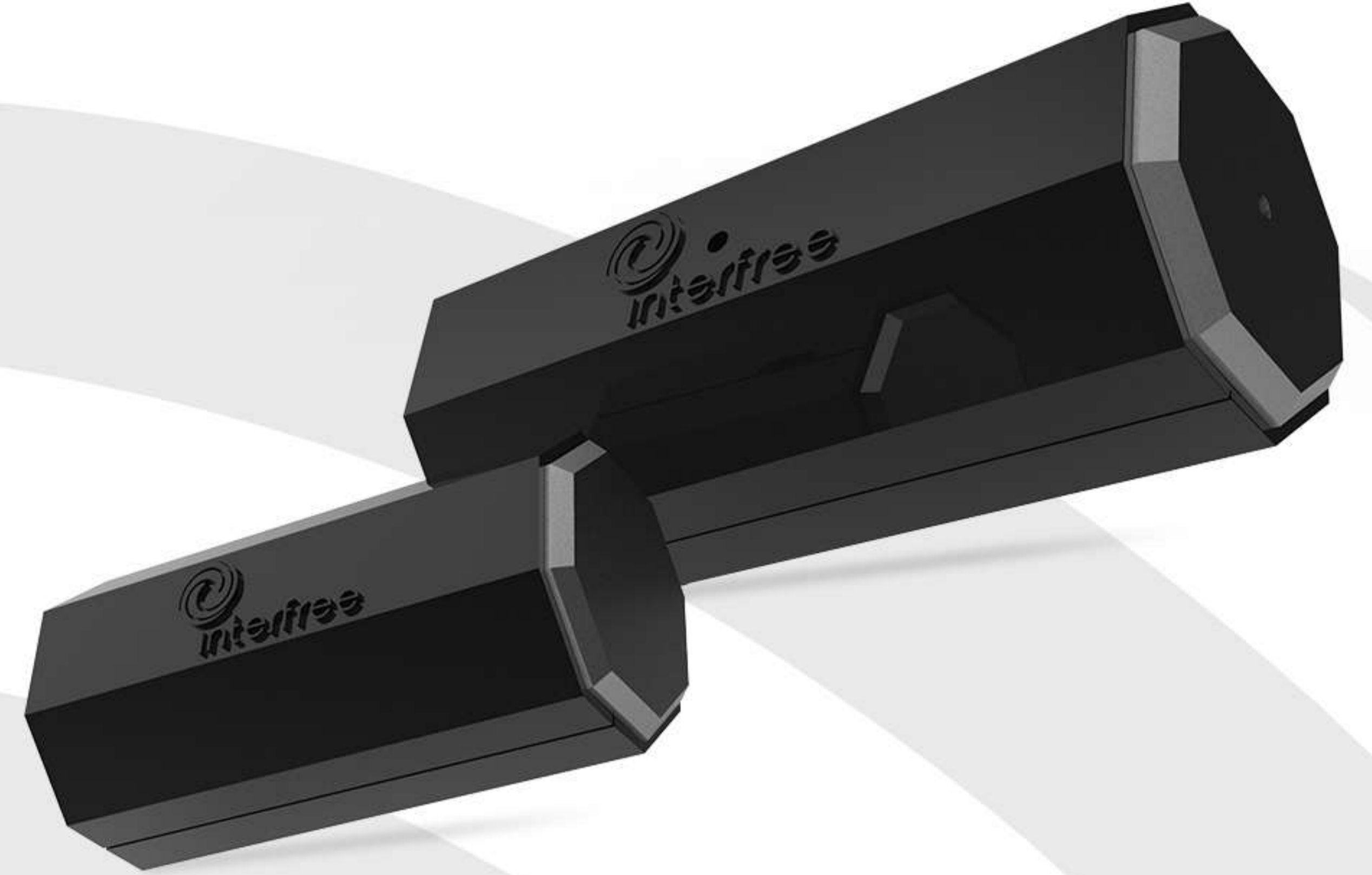
Stay Notified



Automation Appliance Control



Product Features



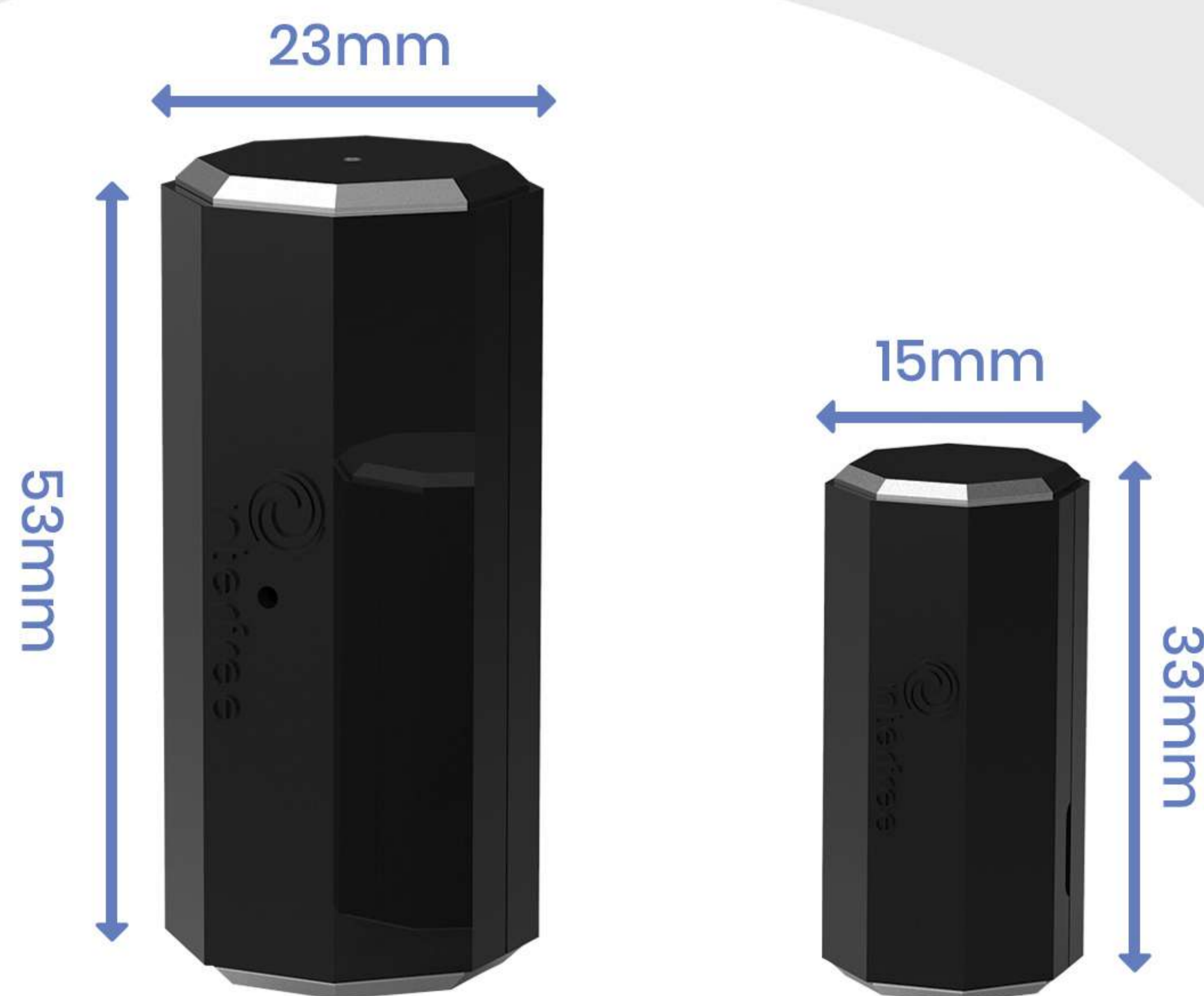
- ⌚ Australian Standard Certified
- ⌚ Easy QR Code installation.
- ⌚ Completely secure and stable connectivity.
- ⌚ Easily installable on any connectivity
- ⌚ Supports OTA firmware updates.
- ⌚ Low Power Consumption: Battery Life of approx 8 months/700triggers
- ⌚ Real Time Battery Status.
- ⌚ Real time notifications of the open/close status of any door or window
- ⌚ Real time notifications when battery is low
- ⌚ Scene Control and Time Schedule Operations
- ⌚ Steup automation rules
- ⌚ IFTTT

Specification

Power Source	3V DC Battery
Battery Type	CR1632
Battery Life	8-12 months
Storage Temperature	-20°C to 60°C
Standby Power	About 2μA
Communication Protocol	Zigbee 2.4

Dimensions

Dimensions	Large magnet 53x23x23 mm Small magnet 32x15x15 mm
Weight	26g



Description for packaging details

- Octagon Door Sensor
- Octagon Window Sensor
- Battery CR1632 3V
- Mount 3M tape
- Starter guide

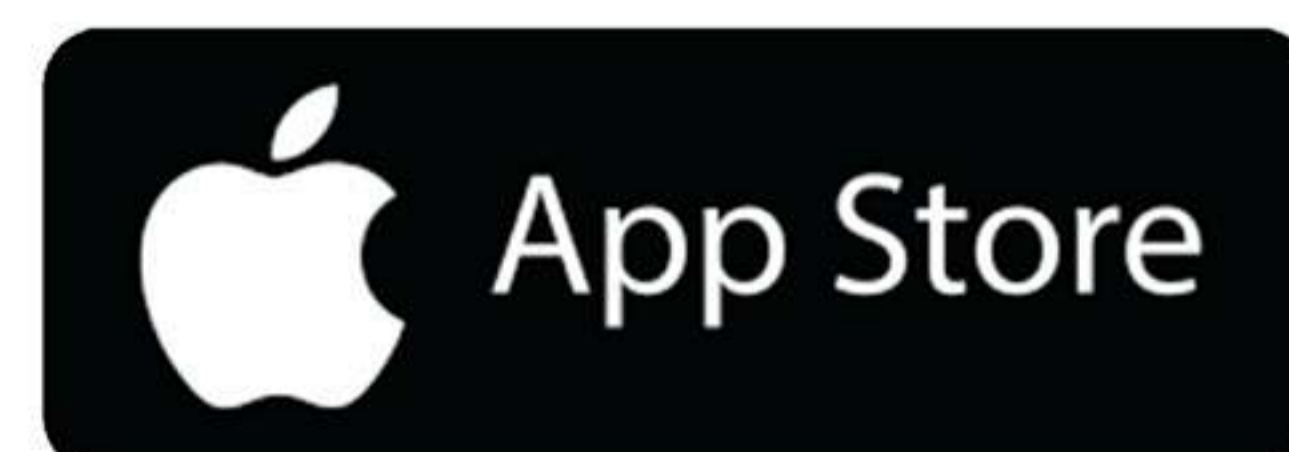


Step 1: Download the Interfree Application

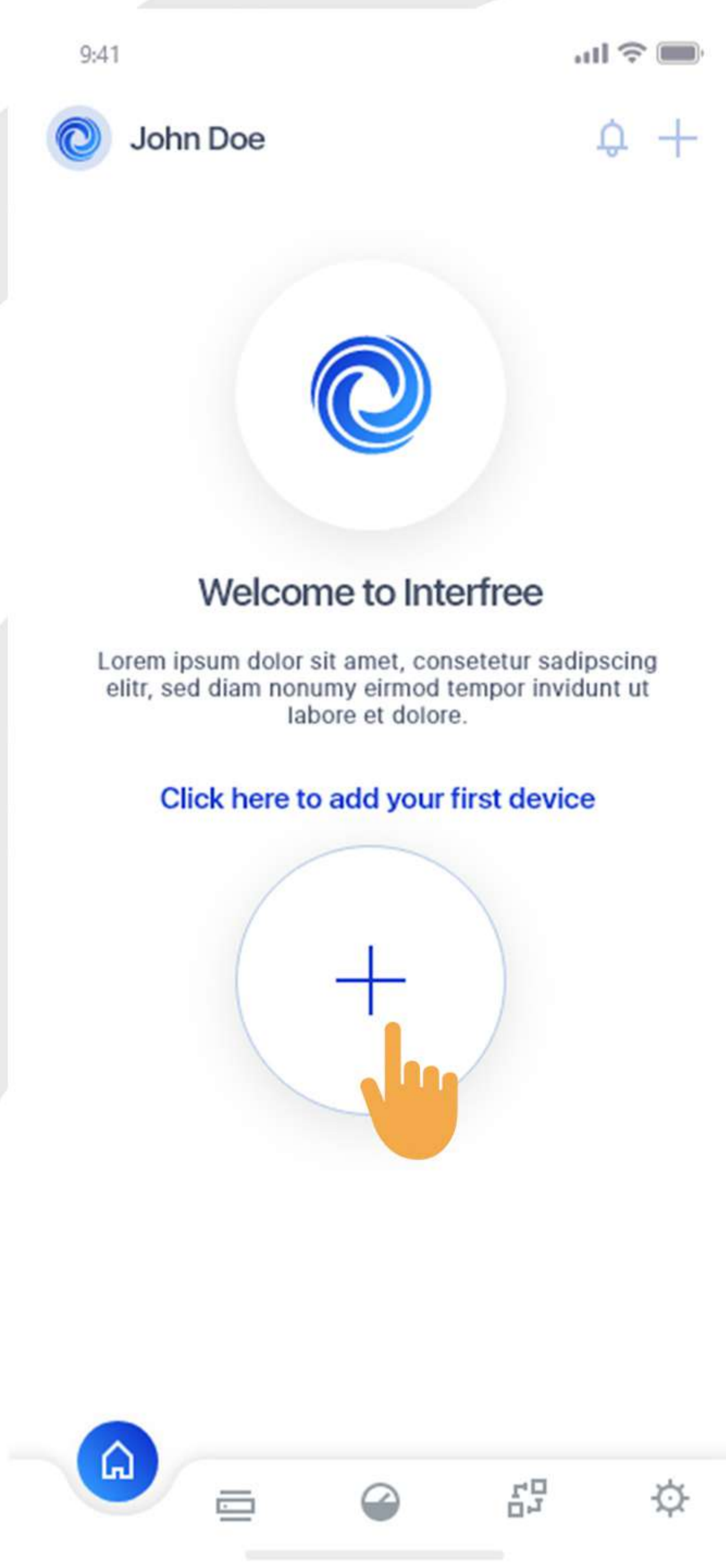
Please use your phone to scan the QR code or search "Interfree" APP in APP store or Google play.



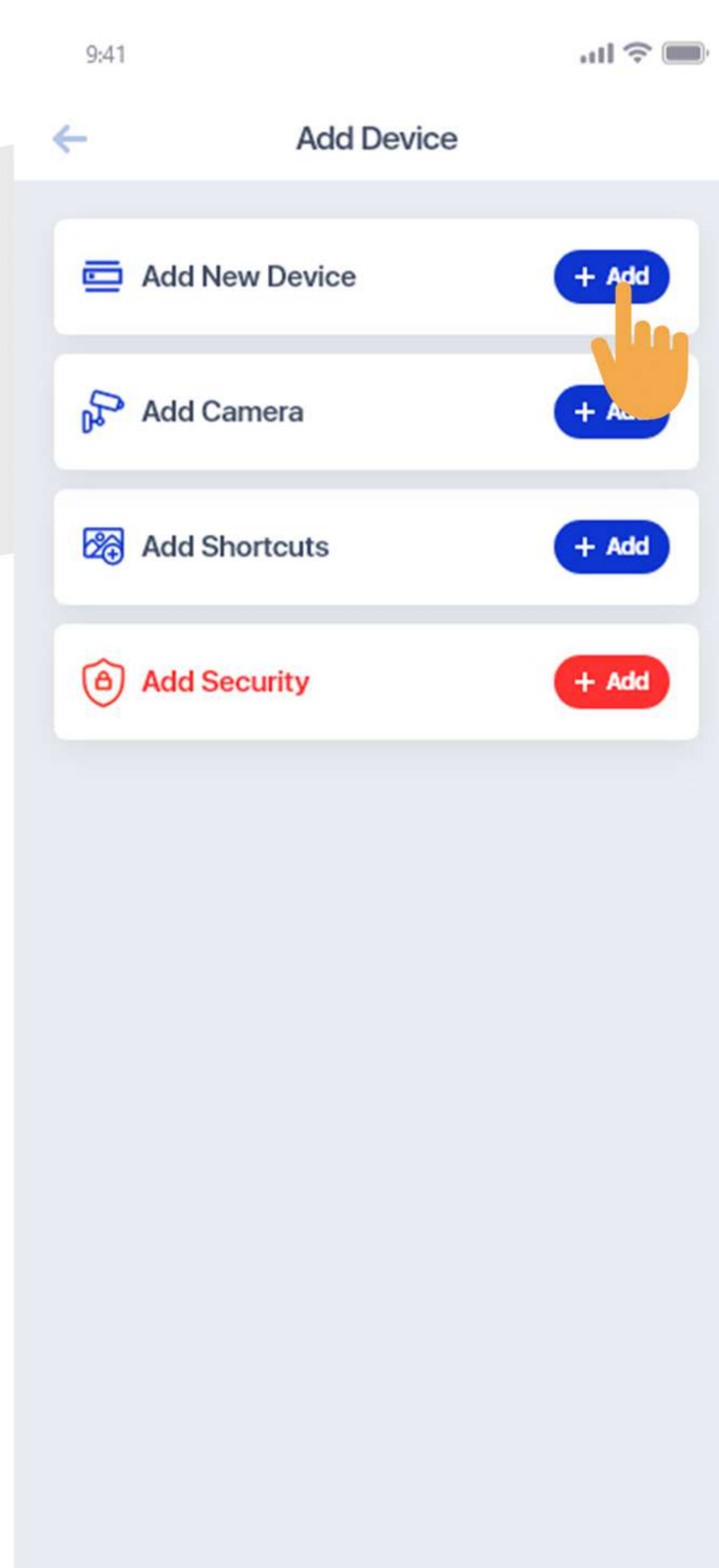
Download Now



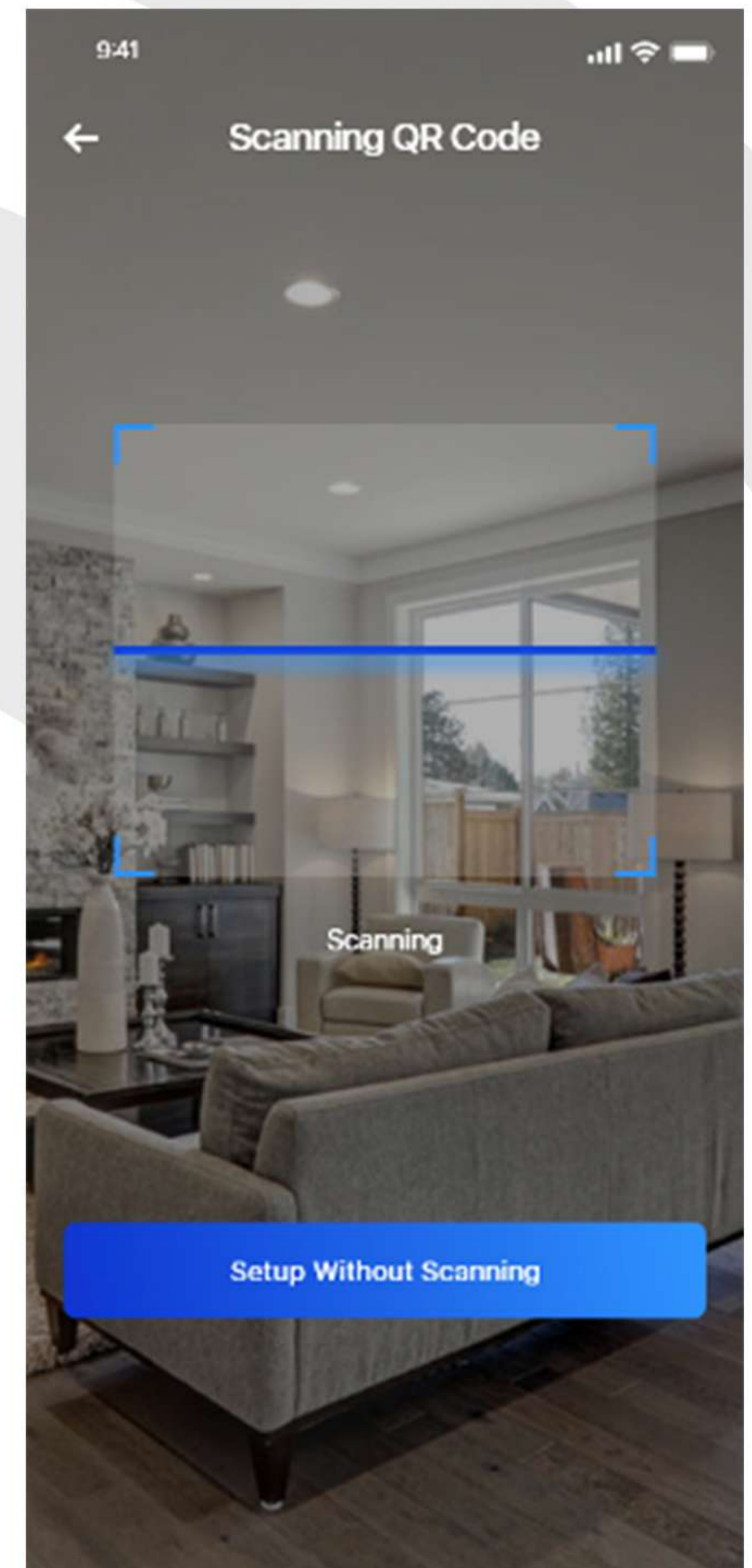
Step 2: Scan the QR code on device.



Click on the '+' icon to add your first device to the network



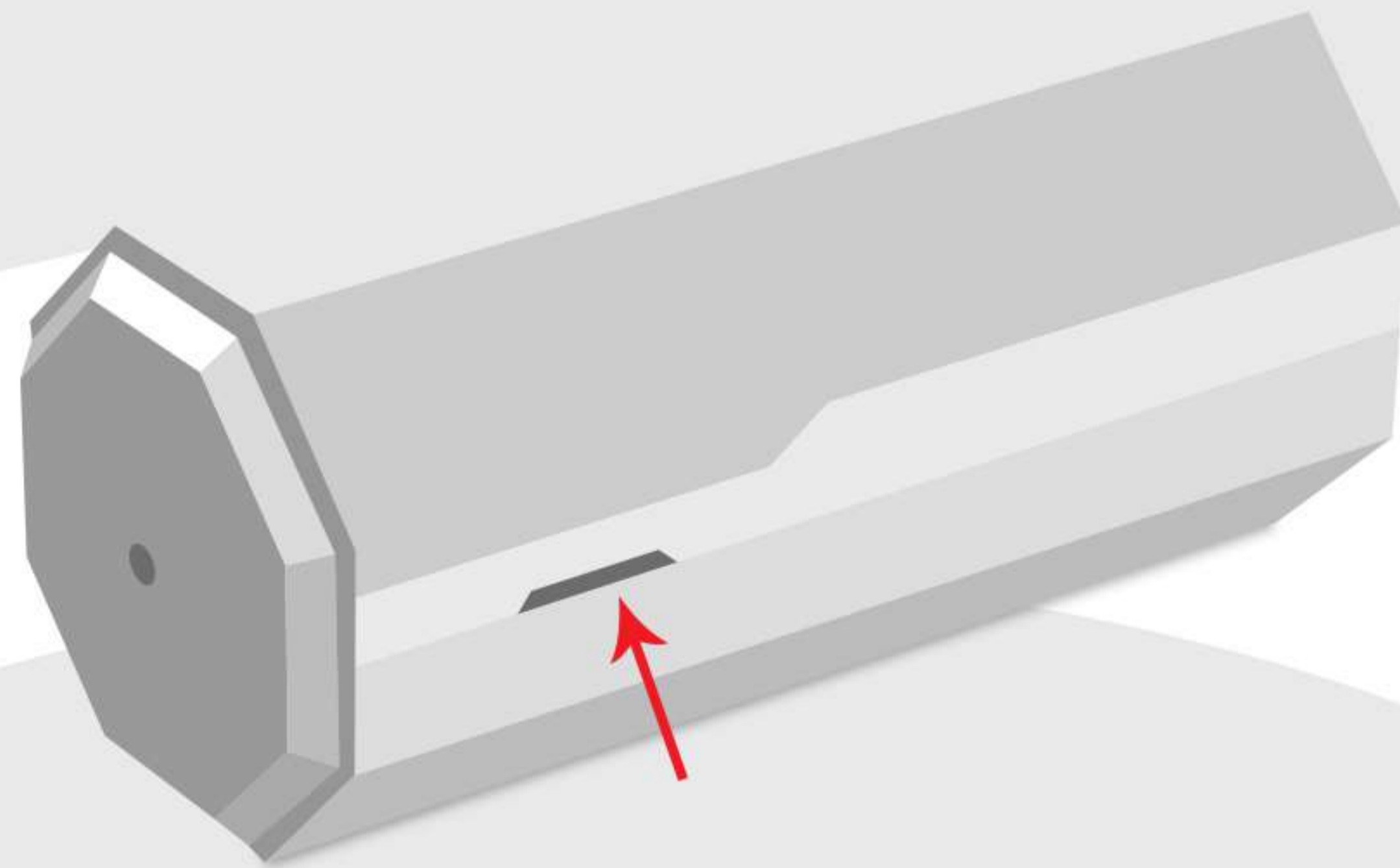
By clicking on "+Add" you can add as many devices to interfree's network



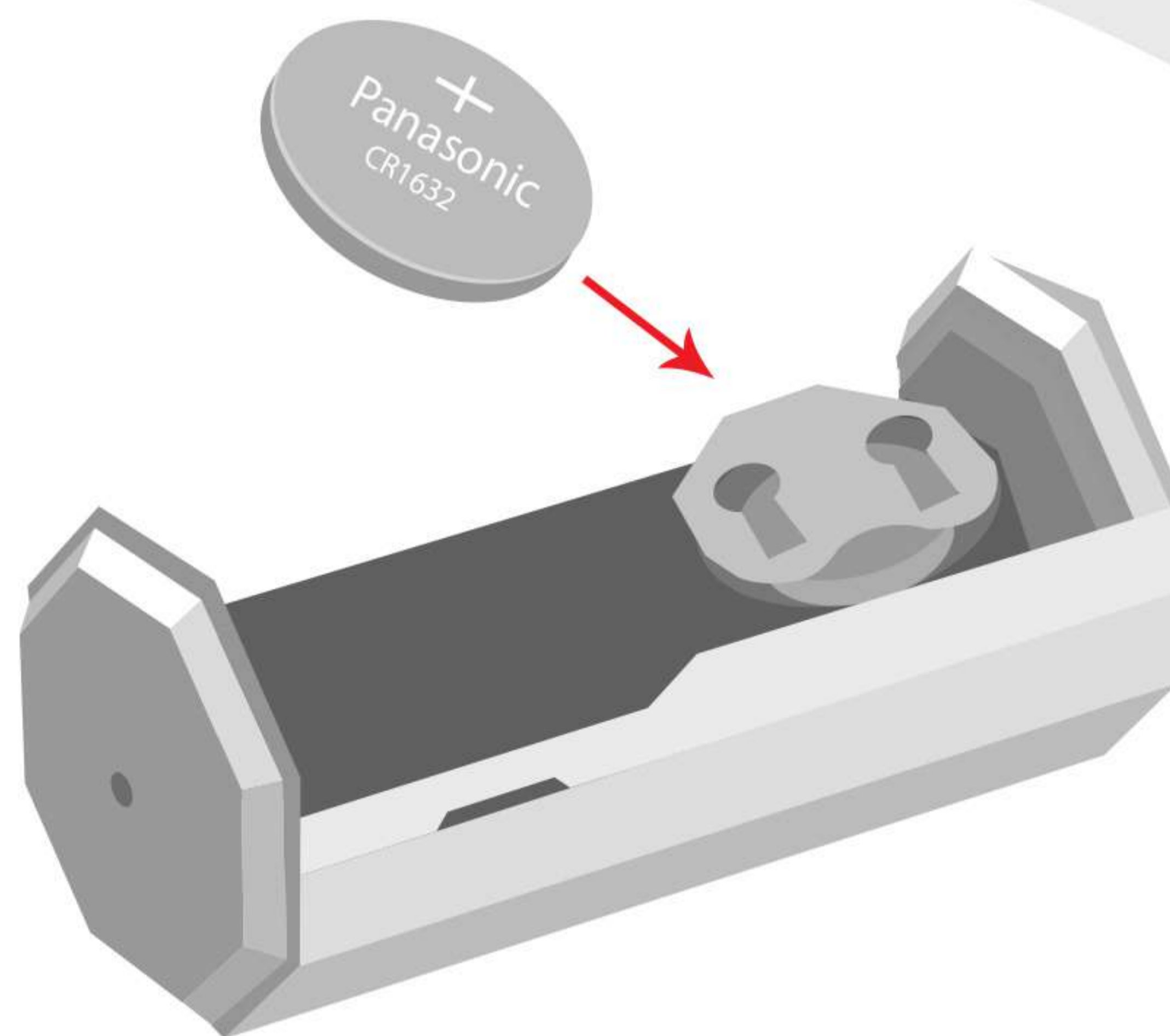
Scan the QR code on device

PLEASE NOTE: The battery should only be inserted after the QR code has been scanned for atleast 20 seconds

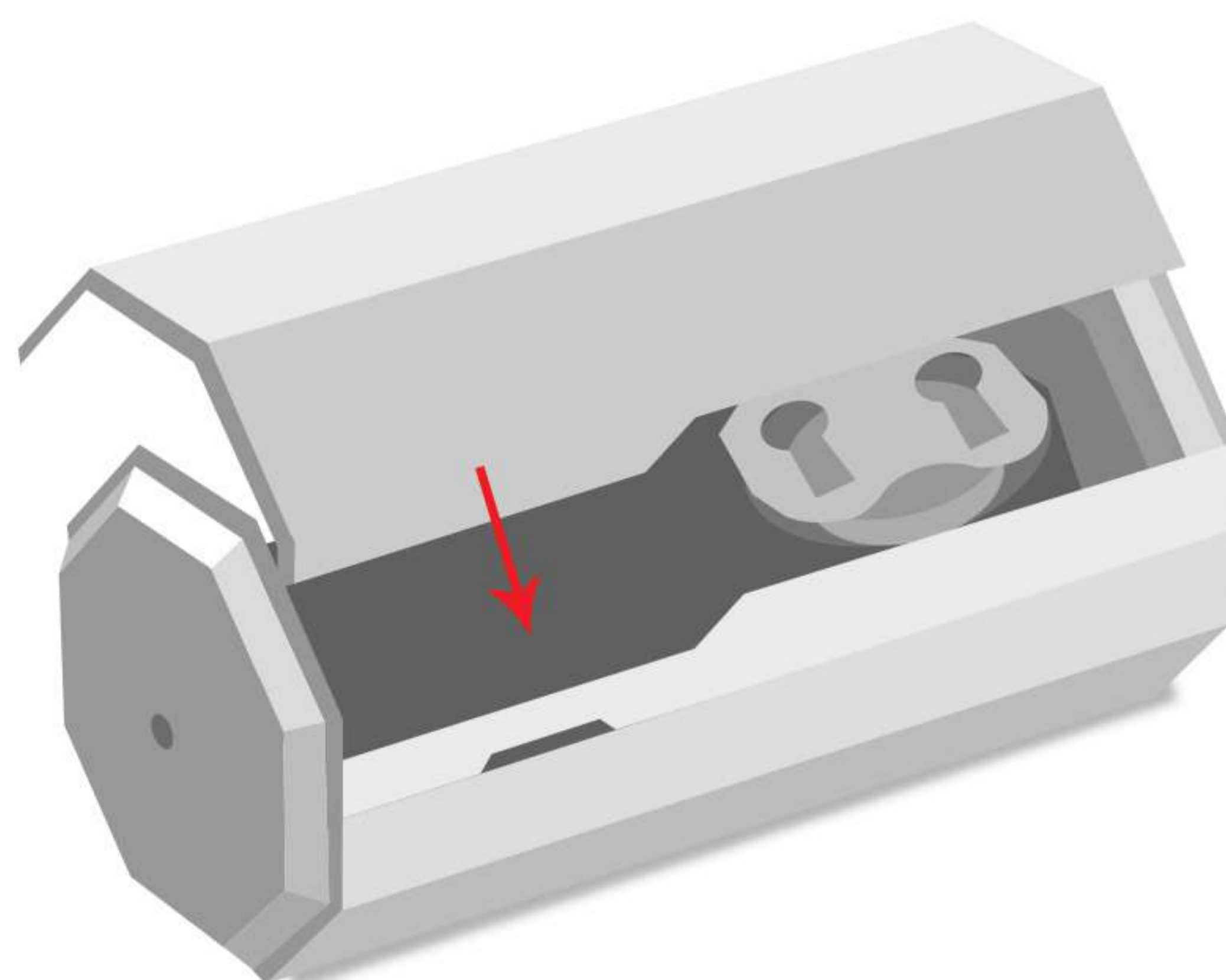
Step 3: Remove of the cover.



Step 4: Insert the CR1632 battery.

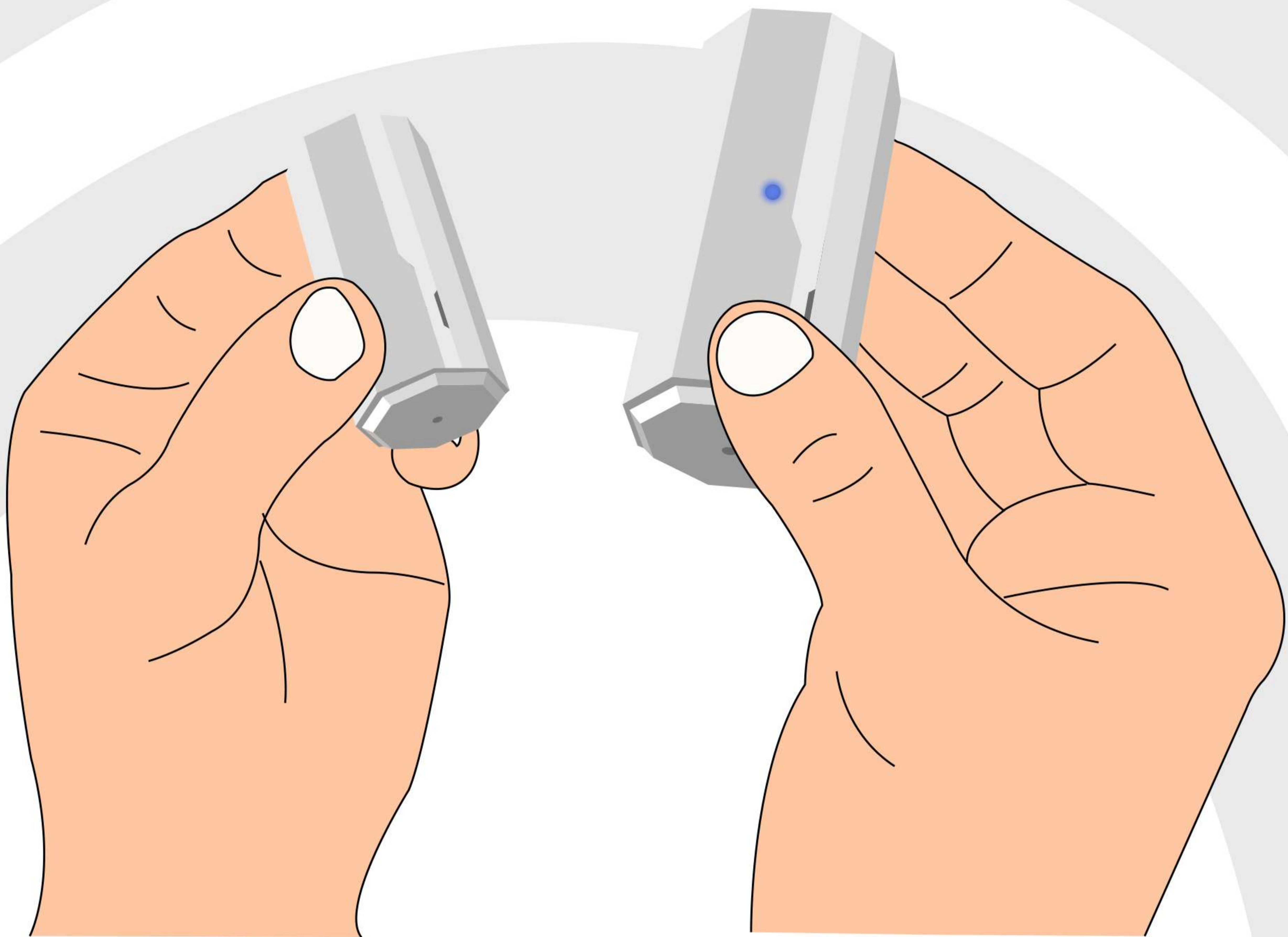


Step 5: Please cover back on and close

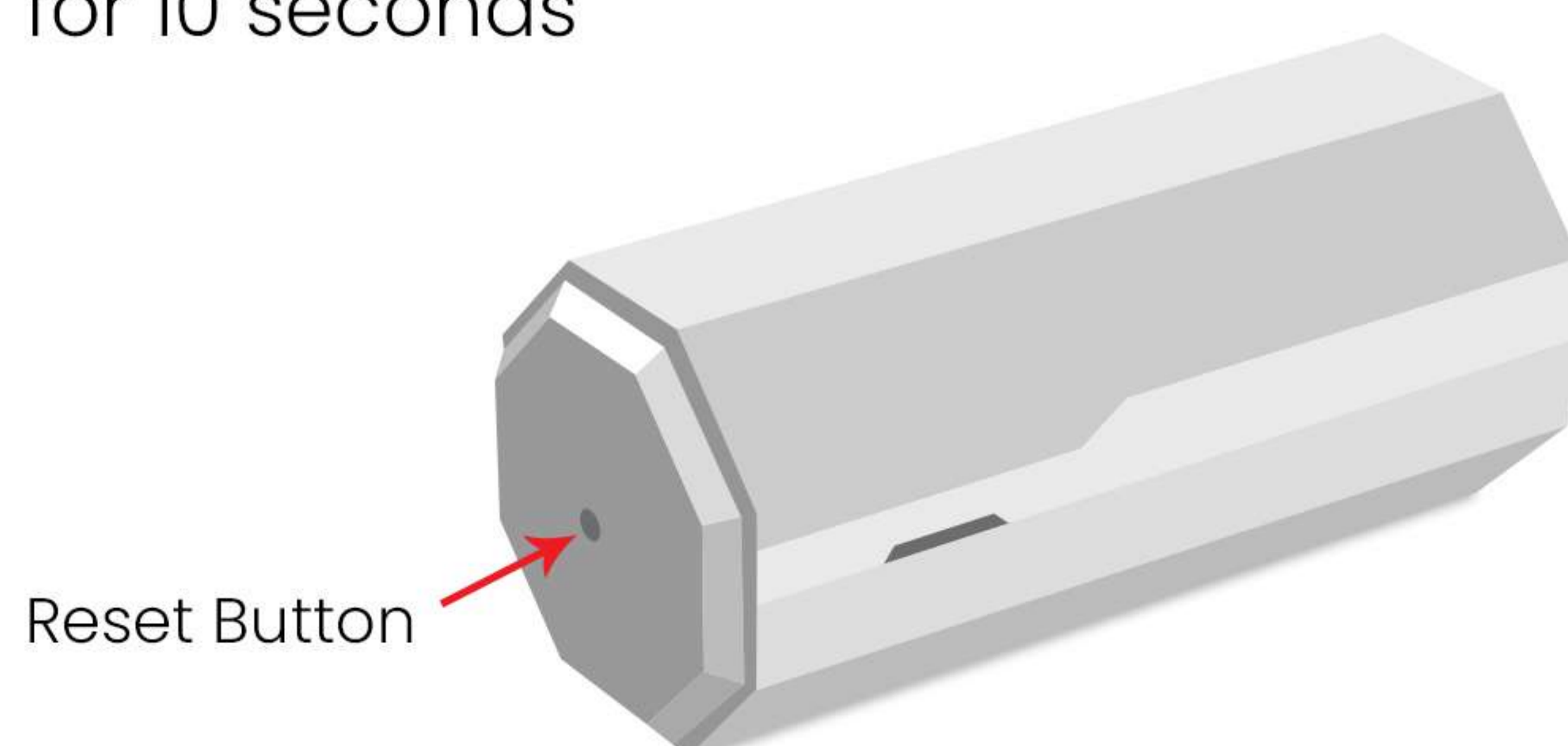


Step 6: Check the indicator light, if the light changes from slow flash to off, means the device has successfully connected to the Zigbee network. The Octagon will then appear online in the app.

Test if the sensor is working by pulling the magnet and sensor away from each other. The app should show an open/close status.



Step 7: If you scan the device and it's not online on the App, the device might need to be reset by simply switching on the Zigbee network for advance setting of the Gateway and clicking the reset button for 10 seconds

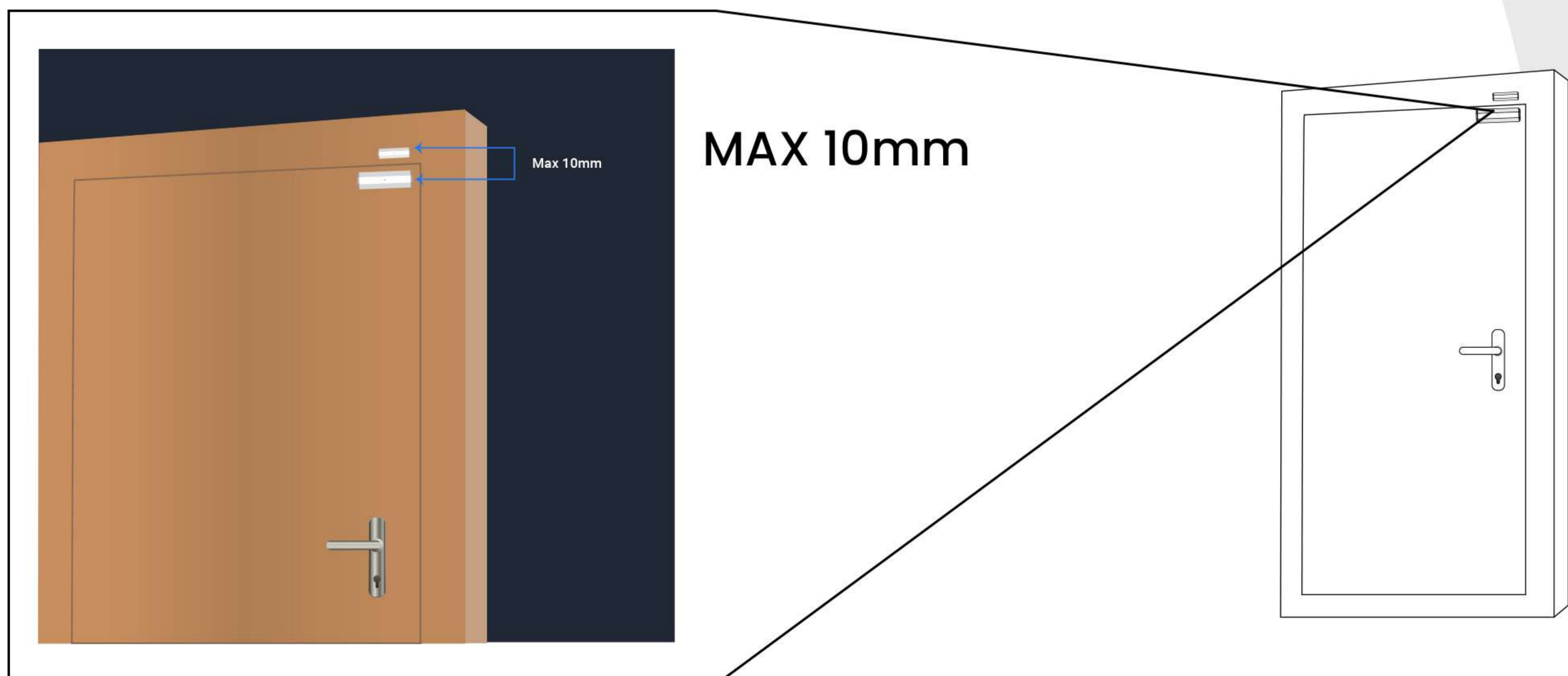


Mounting the door window sensor

Step 1: Pull the tab on the sensor and mount the sensor on door/window.



Step 2: After installing the Octagon, the distance between the two components of the sensor should be less than 10mm when the door/ window is close. For the sensor to trigger an alert, the separation between the two components should be over 20mm (for open status)and less than 10mm (for close status)





Octagon

DOOR & WINDOW SENSOR

 33 Glenvale Crescent Mulgrave VIC 3170 Australia

 interfree@interfree.com.au

 www.interfree.com.au